




Our range of EBM 15/30 elastomer buoys is particularly designed for both sheltered and open-sea waters, since they are available in diameters from 1.5 to 3 metres, able to hold heavy moorings.

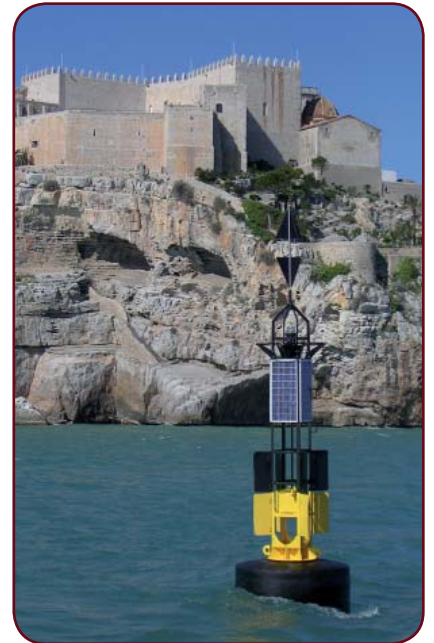
Thanks to its solid construction, they are virtually unsinkable, even against a strong impact. Besides, they can withstand repeated collisions without deforming.

Its main advantage lies in its float, of high elasticity and lightweight, manufactured with closed-cell polyethylene solid foam sheet (no water absorption) and projected with a layer of coloured polyurethane elastomer.

Metallic parts of the buoy (superstructure and tail) are made from hot-dip galvanized steel, and designed to a long service life under harsh marine conditions. They can be customized under client's request.

FEATURES

- ✓ Float manufactured with closed-cell polyethylene foam sheet (no water absorption) projected with a layer of coloured polyurethane elastomer.
- ✓ Average operation lifetime over 20 years.
- ✓ Chromaticity according to IALA Recommendations.
- ✓ Detachable ballast weights for installation in different depths and with different chain sizes.
- ✓ Metallic parts (superstructure and tail) from hot-dip galvanized steel as standard, stainless steel or marine aluminium as an option.
- ✓ Ready to fit self-contained lanterns.
- ✓ High resistance to corrosion and UV rays.
- ✓ Passive radar reflector of 10 m² RCS.
- ✓ Minimum maintenance.
- ✓ Manufactured with recyclable materials .
- ✓ Designed according to IALA Recommendations.

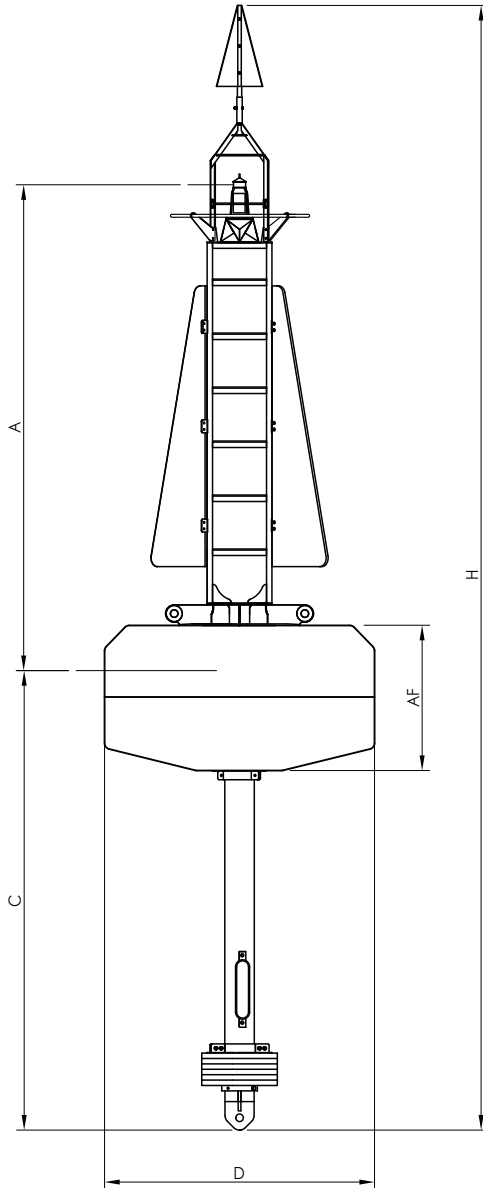


ELASTOMER BUOYS

EBM 15/30



Specifications subject to change without previous notice.



Superstructure	
Material:	Hot-dip galvanized steel.
Coating:	UV- and corrosion-resistant polyurethane paint.
Day marks:	GRP.
Top mark:	According to IALA Recommendations.
Radar reflector:	10 m ² (X Band).
Solar modules capacity:	Up to 4 nos. solar modules of 75W (maximum).
Batteries capacity:	Up to 130 Ah, in watertight cabinet with safety lock.
Lifting eyes:	2 nos.
Hardware:	Stainless steel.

Float	
Diameter:	From 1.5 to 3 metres.
Material:	Closed-cell polyethylene foam sheet.
Coating:	Projected with a layer of coloured polyurethane elastomer, UV resistant.
Top surface:	Anti-sliding.

Tail	
Material:	Hot-dip galvanized steel.
Ballast weights:	Treated steel, detachable.
Mooring eye:	1 no.
Protection:	Sacrifice anodes.

Options	
Superstructure made from stainless-steel or marine aluminium.	
High-visibility day marks.	
Passive radar reflector available up to 36 m ² RCS.	
Active radar reflector.	
Cast-iron ballast weights.	
Racon support structure.	
Skirt or short tail available.	
Other float volumes available under request.	

MODEL	(D) FLOAT DIAMETER (*)	(A) FOCAL HEIGHT (*)	(AF) FLOAT HEIGHT (*)	(C) DRAFT	(H) TOTAL HEIGHT (*)	FLOAT VOLUME (**)	TOTAL WEIGHT	MAX. CHAIN
EBM 15	1.5 m	2.5 m	950 mm	2,200 mm	6,100 mm	1.2 m ³	400 kg	500 kg
EBM 18	1.8 m	3.0 m	1,100 mm	2,750 mm	7,400 mm	2.5 m ³	900 kg	1,300 kg
EBM 22	2.2 m	4.0 m	1,050 mm	3,800 mm	9,460 mm	3.6 m ³	1,400 kg	1,600 kg
EBM 25	2.5 m	4.5 m	1,150 mm	4,200 mm	10,400 mm	4.5 m ³	1,700 kg	1,800 kg
EBM 30	3.0 m	5.0 m	1,150 mm	5,500 mm	13,300 mm	6.5 m ³	2,270 kg	2,300 kg

*Other diameters and heights available under request.
 **Other volumes available under request.



MEDITERRÁNEO SEÑALES MARÍTIMAS, S.L.L.
 mesemar@mesemar.com • www.mesemar.com

