

POLYETHYLENE BUOYS

RBM 15/30



RBM polyethylene buoys are designed for both sheltered and open-sea waters, since they are available in diameters from 1.5 to 3 metres.

The float is made from high-quality rotomoulded virgin polyethylene.

Depending on the diameter and volume, floats can be made up of several sections. Polyethylene includes the necessary pigment that provides the colour. UV filters guarantee a stable colour protection during its whole service life. Reinforcements are included from the floating line to the mooring eye. To ensure its buoyancy, the float is filled with closed-cell expanded polyurethane foam.

Metallic buoy parts (superstructure and tail) made from hot-dip galvanized steel, and designed to provide a long service life under the harshest marine conditions. They can be customized under client's request.

FEATURES

- ✓ Float made from high-quality rotomoulded virgin polyethylene, colour impregnated. Lateral reinforcements included in order to increase buoy resistance.
- ✓ 15mm standard thickness. Other thicknesses available under request.
- ✓ Float filled with closed-cell expanded polyurethane foam inside.
- ✓ Chromaticity according to IALA Recommendations.
- ✓ Detachable ballast weights to be installed in different depths and different chain sizes.
- ✓ Metallic parts (superstructure and tail) from hot-dip galvanized steel as standard, stainless steel or marine aluminium as an option.
- ✓ Capacity to hold up to 130 Ah batteries and 4 nos. solar modules up to 75W.
- ✓ Compatible with a large variety of self-contained and marine LED lanterns.
- ✓ Passive radar reflector of 10 m² RCS.
- ✓ Designed according to IALA Recommendations.

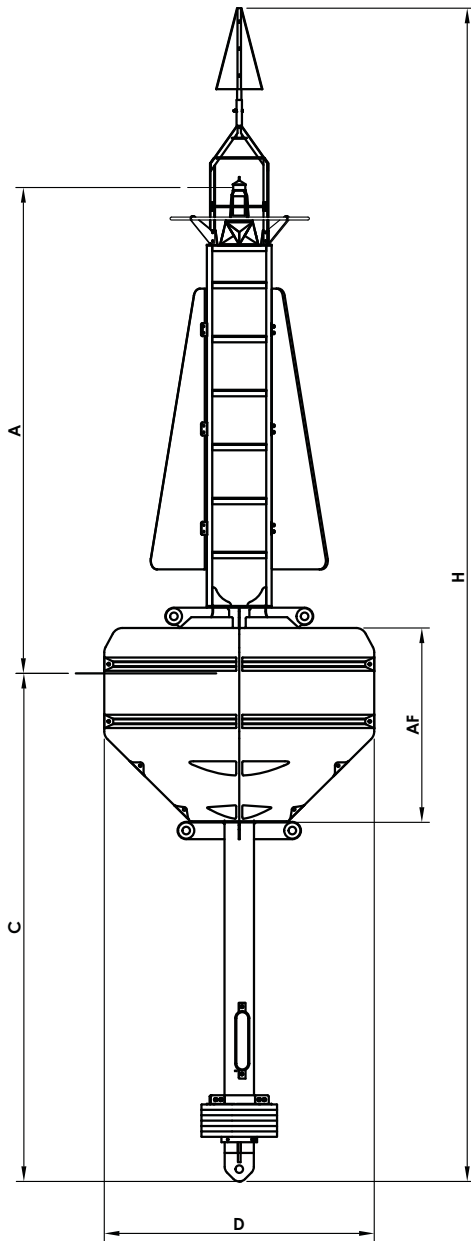


POLYETHYLENE BUOYS

RBM 15/30



Specifications subject to change without previous notice.



Superstructure	
Material:	Hot-dip galvanized steel.
Coating:	UV- and corrosion-resistant polyurethane paint.
Day marks:	GRP.
Top mark:	According to IALA Recommendations.
Radar reflector:	10 m ² (X Band).
Solar modules capacity:	Up to 4 nos. solar modules of 75W (maximum).
Batteries capacity:	Up to 130 Ah, in watertight cabinet with safety lock.
Lifting eyes:	4 nos.
Hardware:	Stainless steel.

Float	
Diameter:	From 1.5 to 3 metres.
Material:	15mm thickness rotomoulded virgin polyethylene (other thicknesses available).
Filling:	Closed-cell expanded polyurethane foam.
Top surface:	Anti-sliding.

Tail	
Material:	Hot-dip galvanized steel.
Ballast weights:	Treated steel, detachable.
Mooring eye:	1 no.
Protection:	Sacrifice anodes.

Options	
Superstructure made from stainless-steel or marine aluminium.	
High-visibility day marks.	
Passive radar reflector available up to 36 m ² RCS.	
Active radar reflector.	
Bird spikes.	
Cast-iron ballast weights.	
Polystyrene filling available under request.	
Skirt or short tail available.	
Other float volumes available under request.	

MODEL	(D) FLOAT DIAMETER (*)	(A) FOCAL HEIGHT (*)	(AF) FLOAT HEIGHT (*)	(C) DRAFT	(H) TOTAL HEIGHT (*)	FLOAT VOLUME	TOTAL WEIGHT	MAX. CHAIN
RBM 15	1.5 m	2.5 m	1,000 mm	1,500 mm	4,800 mm	1.35 m ³	400 kg	500 kg
RBM 18	1.8 m	3.0 m	1,200 mm	2,700 mm	7,450 mm	2.20 m ³	1,460 kg	1,200 kg
RBM 22	2.2 m	3.5 m	1,200 mm	3,700 mm	8,950 mm	4.30 m ³	1,600 kg	1,500 kg
RBM 25	2.5 m	4.0 m	1,800 mm	4,600 mm	10,900 mm	6.10 m ³	2,280 kg	1,800 kg
RBM 30	3.0 m	6.0 m	1,800 mm	5,600 mm	13,350 mm	8.60 m ³	2,750 kg	3,000 kg

*Other diameters and heights available under request.



MEDITERRÁNEO SEÑALES MARÍTIMAS, S.L.L.
 mesemar@mesemar.com • www.mesemar.com

