



## HIGH-VISIBILITY POLYETHYLENE BUOYS

# RBM-HV 22/30



RBM-HV 22/30 buoys are characterised by their high-visibility superstructure. They are indicated to be deployed in places where their day mark has to be recognised from a long distance, such as landfall buoys.

The float is made from high-quality rotomoulded virgin polyethylene. Depending on float diameter and volume, floats are made up of several sections. Polyethylene includes the necessary pigment that provides the colour. UV filters guarantee a stable colour protection during its whole service life. To ensure its buoyancy, the float is filled with closed-cell expanded polyurethane foam.

The high-visibility superstructure is made from marine aluminium, providing a long service life in the harshest marine conditions. They can be customized under client's request.

## FEATURES

- ✓ Float divided into 2 or 4 sections, made from rotomoulded virgin polyethylene, 15mm thickness. Lateral reinforcements included in order to increase buoy resistance.
- ✓ Float filled with closed-cell expanded polyurethane foam inside, in order to avoid water absorption.
- ✓ Detachable ballast weights to be installed in different depths and different chain sizes.
- ✓ Marine-aluminium superstructure with capacity to hold up to 200 Ah batteries and up to 6 nos. solar modules of 75W.
- ✓ Colour impregnated in the polyethylene. Chromaticity according to IALA recommendations.
- ✓ Wide top platform for maintenance works.
- ✓ Compatible with a large variety of self-contained and marine LED lanterns.
- ✓ Passive radar reflector of 10 m<sup>2</sup> RCS.
- ✓ Minimum maintenance.
- ✓ Designed according to IALA Recommendations.

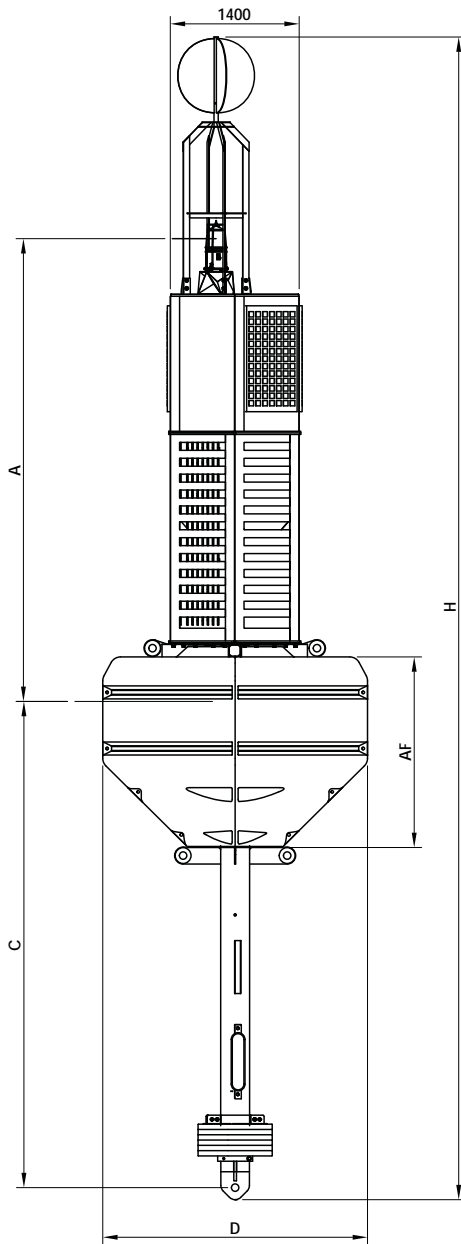


# HIGH-VISIBILITY POLYETHYLENE BUOYS

## RBM-HV 22/30



Specifications subject to change without previous notice.



RBM-HV 25 of 2.5m diameter.

Superstructure	
Material:	6 faces, naval degree aluminium.
Coating:	UV- and corrosion-resistant polyurethane paint.
Day marks:	GRP.
Top mark:	GRP, according to IALA Recommendations.
Radar reflector:	10 m <sup>2</sup> (X Band).
Solar modules capacity:	Up to 6 nos. solar modules of 75W (maximum).
Batteries capacity:	Up to 200 Ah, in watertight cabinet with safety lock.
Lifting eyes:	4 nos.
Hardware:	Stainless steel.

Float	
Diameter:	From 2.2 to 3 metres.
Material:	15mm thickness rotomoulded virgin polyethylene (other thicknesses available).
Sections:	Divided into 2 or 4 compartments.
Filling:	Closed-cell expanded polyurethane foam.
Top surface:	Anti-sliding.

Tail	
Material:	Hot-dip galvanized steel.
Ballast weights:	Treated steel, detachable.
Mooring eye:	1 no.
Protection:	Sacrifice anodes.

Options	
Superstructure made from stainless-steel.	
Racon support structure.	
Passive radar reflector available up to 36 m <sup>2</sup> RCS.	
Active radar reflector.	
Bird spikes.	
Cast-iron ballast weights.	
Polystyrene filling available under request.	
Skirt or short tail available.	
Other float volumes available under request.	

MODEL	(D) FLOAT DIAMETER (*)	(A) FOCAL HEIGHT (*)	(AF) FLOAT HEIGHT (*)	(C) DRAFT	(H) TOTAL HEIGHT (*)	FLOAT VOLUME	TOTAL WEIGHT	MAX. CHAIN
RBM-HV 22	2.2 m	3.0 m	1,200 mm	3,700 mm	8,300 mm	4.3 m <sup>3</sup>	1,700 kg	1,400 kg
RBM-HV 25	2.5 m	4.0 m	1,800 mm	4,600 mm	10,300 mm	6.1 m <sup>3</sup>	2,580 kg	1,800 kg
RBM-HV 30	3.0 m	6.0 m	1,800 mm	5,600 mm	12,370 mm	8.6 m <sup>3</sup>	2,950 kg	3,000 kg

\*Other diameters and heights available under request.



**MEDITERRÁNEO SEÑALES MARÍTIMAS, S.L.L.**  
 mesemar@mesemar.com • www.mesemar.com

