



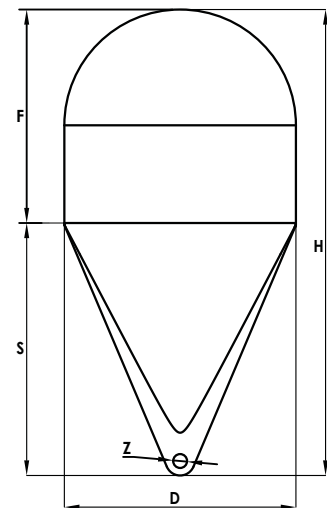
NBM Nautical Buoys are especially designed for beach buoyage or channels where a temporary marking is required.

They are manufactured with rotomoulded virgin polyethylene in one piece. Polyethylene includes the necessary pigment that provides the colour (chromaticity according to IALA Recommendations.). UV filters guarantee a stable colour protection during its whole service life. Reinforcements are included from the floating line to the mooring eye.

They can be filled with closed-cell expanded polyurethane foam under customer request.

FEATURES

COLOUR TABLE



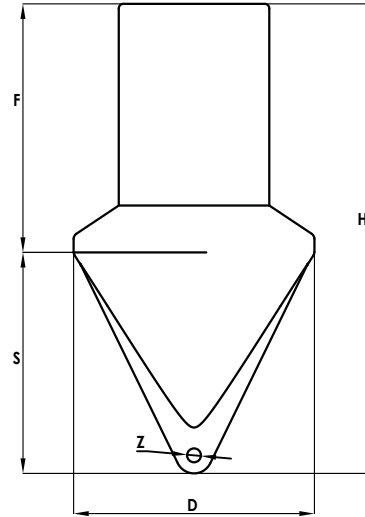
Spherical buoys	H (mm)	F (mm)	S (mm)	DØ (mm)	ZØ (mm)	Buoyancy (L)
NBM 04-ESF	660	315	345	400	38	45
NBM 06-ESF	1,100	494	606	600	48	227.5
NBM 08-ESF	1,610	745	865	800	48	410

NAUTICAL BUOYS

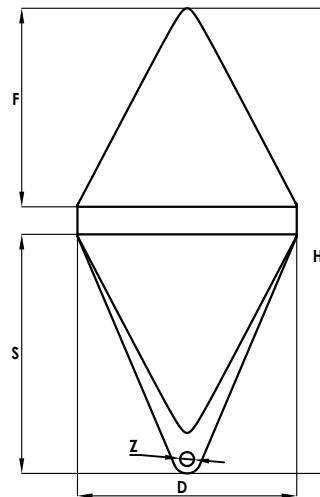
NBM



Specifications subject to change without previous notice.



Cylindrical Buoys	H (mm)	F (mm)	S (mm)	DØ (mm)	LØ (mm)	ZØ (mm)	Buoyancy (L)
NBM 04-CIL	740	377	363	400	250	38	35
NBM 08-CIL	1,610	960	650	800	500	48	290



Conical buoys	H (mm)	F (mm)	S (mm)	DØ (mm)	ZØ (mm)	Buoyancy (L)
NBM 04-CON	640	277	363	400	38	25
NBM 08-CON	1,600	800	800	800	48	200



MEDITERRÁNEO SEÑALES MARÍTIMAS, S.L.L.
 mesemar@mesemar.com • www.mesemar.com

