



# LAMPCHANGER MLC 12



Mediterráneo Señales Marítimas, among its range of accessories, offers automatic 3- or 6-position lampchangers. Our changers MLC 12 are highly and worldwide appreciated by our clients for its simplicity, reliability and accuracy in lamp positioning.

Designed to work under harsh marine conditions with high-corrosion level, guaranteeing a correct and nonstop operation of marine aids to navigation.

MLC 12 integrates a rotary mechanism, able to fit up to 6 halogen or marine signal lamps (S-8/S-11), with up to 250W power.

## FEATURES

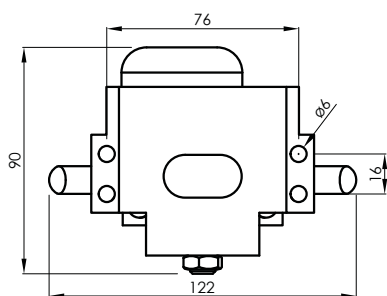
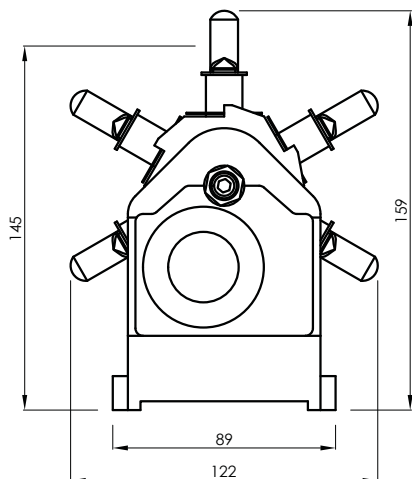
- ✓ Accurate lamp positioning.
- ✓ Capacity for 3 or 6 halogen or marine signal lamps, with Pr30s prefocused collar.
- ✓ Uses rotary solenoid, more reliable than motors, no gears required.
- ✓ Low contact drop.
- ✓ No light shadowing 52° down from horizontal plane.
- ✓ Colour coded terminals.
- ✓ Cast-aluminium base.
- ✓ Great resistance to marine corrosion.
- ✓ Compatible with a large variety of marine flashing lanterns and rotating beacons.
- ✓ High mechanic and environmental resistance.
- ✓ Can be mounted in any position.
- ✓ Low cost.



# LAMPCHANGER MLC 12



Specifications subject to change without previous notice.



MLC 12	MLC 12-5A	MLC 12-10A
<b>Lamp capacity</b>	3 or 6 nos.	3 or 6 nos.
<b>Lamp type</b>	T4 Halogen S-8, S-11 standard marine	T4 Halogen S-8, S-11 standard marine
<b>Collar type</b>	Pr30s	Pr30s
<b>Max. lamp current<sup>(1)</sup></b>	5 A	10 A
<b>Lamp voltage<sup>(1)</sup></b>	6V/12V	12V/24V
<b>Max. lamp power</b>	60 W	120 W (12V) - 250W (24V)
<b>Max. lamp size</b>	140 mm (S-8 and halogen) 162 mm (S-11)	140 mm (S-8 and halogen) 162 mm (S-11)
<b>Solenoid current<sup>(2)</sup></b>	0.65 A	0.65 A
<b>Solenoid voltage</b>	6 - 12V	6 - 12V
<b>Solenoid min. life rated number of actuations</b>	1 million	1 million
<b>Positioning accuracy</b>	±0.8 mm	±0.8 mm
<b>Vibration</b>	5 G	5 G
<b>Shock</b>	20 G	20 G
<b>Temperature range</b>	From -40° to 130°C	From -40° to 130°C
<b>Weight</b>	0.86 kg	0.86 kg

<sup>(1)</sup> Limited by maximum lamp voltage.

<sup>(2)</sup> 6V solenoid as an option, to operate at 6V or 12V.

## Options

MLC 12-10A-T (remote monitoring version).

Position sensing circuit activates when the lampchanger is in the last two positions.

MLC 12-BLR-T (reinforced version).



**MEDITERRÁNEO SEÑALES MARÍTIMAS, S.L.L.**  
mesemar@mesemar.com • www.mesemar.com

