



LONG-RANGE LED FLASHING BEACON

MBL 400



The MBL 400 is a LED flashing beacon of medium and long range, with a great optical output. Its luminous source consists of high-power LED diodes, obtaining a range of up to 27 nautical miles.

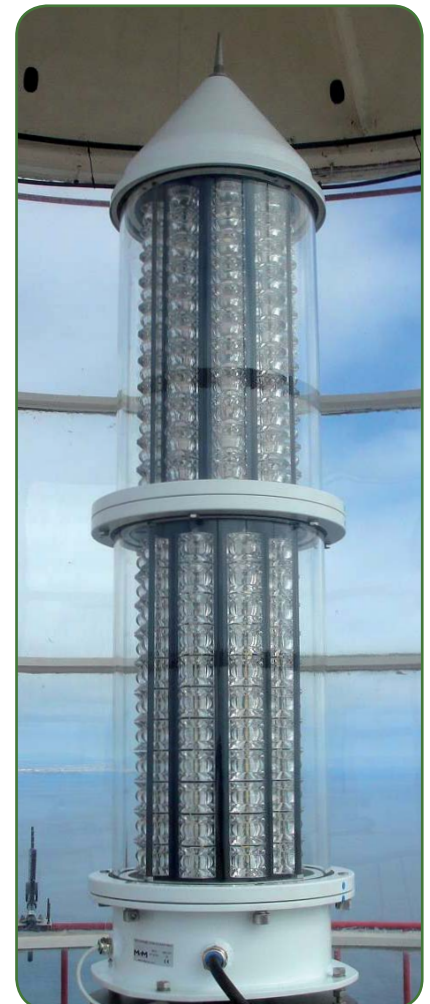
Intended to be placed in on-shore aids-to-navigation locations, such as poles and towers, with a minimum maintenance.

Fitted with 9 nos. optical elements by level, arranged in a circular way in a 300mm diameter, made from UV-resistant methacrylate and protected with a shock-resistant glass lens cover. Manufactured with high-quality and resistant materials, the MBL 400 provides a long service life under very severe marine conditions.

Designed according to IALA Recommendations.

FEATURES

- ✓ State-of-the-art LED technology.
- ✓ High-efficiency luminous system.
Up to 17 nm ($T=0.74$), 27 nm ($T=0.85$).
- ✓ Vertical divergence of up to 5° (50%Io).
- ✓ Shock-resistant glass lens cover.
- ✓ Average operation lifetime over 15 years.
- ✓ Photocell adjustable in lux.
- ✓ IP 67 watertightness degree (immersion resistant).
- ✓ Linear adjustment of luminous intensity.
- ✓ Double RS-232 serial port for setting adjustments by PC and remote monitoring system.
- ✓ Programming, configuration and operating status via PC, IR programmer or Bluetooth.
- ✓ Short-circuit, reverse-polarity, over-temperature and transient over-voltage protections.
- ✓ **PATENTED OPTICAL SYSTEM.**

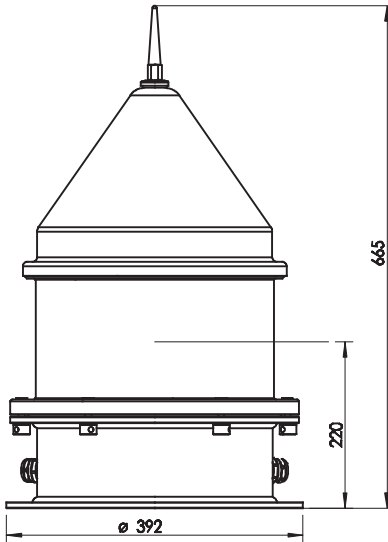


LONG-RANGE LED FLASHING BEACON

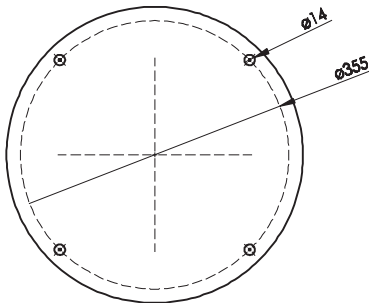
MBL 400



Specifications subject to change without previous notice.



MBL 400 of 3 levels.



Options

- Infrared (IR) programmer.
- PC programming kit.
- RS-485 MODBUS serial port.
- Other specifications available under request.
- MBL 400-SYNC (GPS synchronisation).
- MBL 400-TG (GSM remote monitoring).
- MBL 400-TR (Radio remote monitoring).
- MBL 400-TS (Satellite remote monitoring).
- MBL 400-AIS (AIS AtoN).

Optical System

| | |
|----------------------|--|
| Light source: | 27 to 99 nos. ultra-bright LED diodes, with high-precision acrylic lens. |
| Luminous range: | Up to 17 nm (T=0.74) 27 nm (T=0.85). |
| Colours available: | White, green, red, amber and blue. |
| Vertical divergence: | Up to 5° (50% Io). |
| LED average life: | More than 100,000 hours. |
| Power supply: | From 9 to 36V. |
| Lantern consumption: | From 54 to 297W. |

Electronic control

| | |
|---|------------------------------------|
| Flash rhythms: | 256 (6 nos. user selectable). |
| Day/night threshold: | Adjustable between 10 and 400 lux. |
| Settings: | PC / IR programmer / Bluetooth. |
| Luminous intensity adjustment: | Linear, between 10 and 100%. |
| Light intensity reduction due to low battery: | Configurable by the user. |

Materials and environment

| | |
|------------------------|--|
| Lantern: | Marine aluminium, with polyurethane finishing. |
| Lens cover: | Tempered glass. |
| Shock resistance: | MIL-STD-202G, Method 213B. |
| Watertightness degree: | IP 67. |
| Fixings: | 4 bolts in a 355mm diameter. |
| Humidity resistance: | 100%. Pressure-compensation valve to avoid condensation. |
| Temperature range: | From -30° to 70°C. |
| Inside hardware: | Stainless steel. |

| MBL 400 | PEAK INTENSITIES (Cd) | |
|---------|-----------------------|--------|
| | Levels | Power |
| 3 | 81W | 10.000 |
| 6 | 162W | 20.000 |
| 9 | 243W | 30.000 |
| 11 | 297W | 36.500 |

| MBL 400 | PEAK INTENSITIES (Cd) | | | |
|---------|-----------------------|--------|--|--|
| | Levels | Power | Green █ | Red █ |
| 3 | 80W | 3,390 | 2,325 | 2,200 |
| 6 | 160W | 6,780 | 4,650 | 4,400 |
| 9 | 240W | 10,170 | 6,975 | 6,530 |
| 11 | 297W | 13,560 | 8,525 | 8,300 |

Other divergences available.



MEDITERRÁNEO SEÑALES MARÍTIMAS, S.L.L.
 mesemar@mesemar.com • www.mesemar.com

