



LONG-RANGE LED FLASHING BEACON

MBB 500



The MBB 500 is a long-range LED flashing beacon with a great optical efficiency and low consumption. Its luminous source consists of high-intensity LED diodes, obtaining a range of up to 31 nautical miles.

Intended to be placed in on-shore aids-to-navigation locations, with a minimum maintenance.

Fitted with 36 nos. optical elements by level and up to 5 levels, arranged in a circular way in a 500mm diameter, made from UV-resistant methacrylate and protected with a shock-resistant acrylic lens cover. Manufactured with high-quality and resistant materials, the MBB 500 provides a long service life under the harshest marine conditions.

Designed according to IALA Recommendations.

FEATURES

- ✓ State-of-the-art LED technology.
- ✓ High-efficiency luminous system.
Up to 20 nm (T=0.74), 31 nm (T=0.85).
- ✓ Vertical divergence up to 2° (50%Io).
- ✓ Shock-resistant acrylic lens cover.
- ✓ Average operation lifetime over 15 years.
- ✓ Photocell adjustable in lux.
- ✓ IP 67 watertightness degree (immersion resistant).
- ✓ Linear adjustment of luminous intensity.
- ✓ Double RS-232 serial port for setting adjustments by PC and remote monitoring system.
- ✓ Programming, configuration and operating status via PC, IR programmer or Bluetooth.
- ✓ Short-circuit, reverse-polarity, over-temperature and transient over-voltage protections.

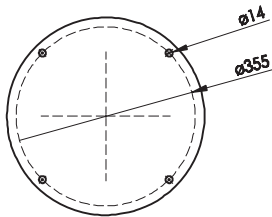
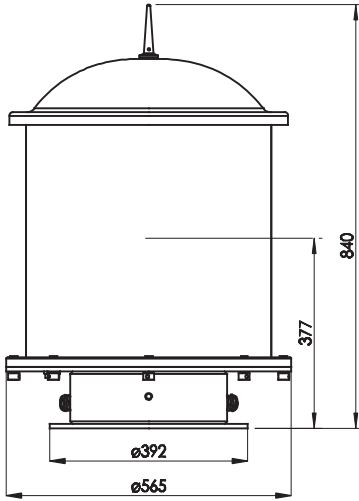


LONG-RANGE LED FLASHING BEACON

MBB 500



Specifications subject to change without previous notice.



Optical System

Light source:	36 nos. ultra-bright LED diodes, with high-precision acrylic lens per level (up to 5 levels).
Luminous range:	Up to 20 nm (T=0.74) 31 nm (T=0.85).
Colours available:	White, green, red, amber and blue.
Vertical divergence:	Up to 2° (50% Io).
LED average life:	More than 100,000 hours.
Power supply:	From 9 to 36V.
Lantern consumption:	From 36 to 600W.

Electronic control

Flash rhythms:	256 (6 nos. user selectable).
Day/night threshold:	Adjustable between 10 and 400 lux.
Settings:	PC / IR programmer / Bluetooth.
Luminous intensity adjustment:	Linear, between 10 and 100%.
Light intensity reduction due to low battery:	Configurable by the user.

Materials and environment

Base:	Marine aluminium, with polyurethane finishing.
Lens cover:	Acrylic, UV stabilised.
Shock resistance:	MIL-STD-202G, Method 213B.
Watertightness degree:	IP 67.
Fixings:	4 bolts in a 355mm diameter.
Humidity resistance:	100%. Pressure-compensation valve to avoid condensation.
Temperature range:	From -30° to 70°C.
Inside hardware:	Stainless steel.

Options

- Infrared (IR) programmer.
- PC programming kit.
- RS-485 MODBUS serial port.
- Other specifications available under request.
- MBB 500-SYNC (GPS synchronisation).
- MBB 500-TG (GSM remote monitoring).
- MBB 500-TR (Radio remote monitoring).
- MBB 500-TS (Satellite remote monitoring).
- MBB 500-AIS (AIS AtoN).

MBB 500	WHITE COLOUR ■	
	Levels	Peak Intensities (Cd)
	2	20,000
	2	40,000
	3 (*)	60,000
	4 (*)	80,000
	5 (*)	100,000

MBB 500	GREEN COLOUR ■		RED COLOUR ■	
	Levels	Peak Intensities (Cd)	Power	Peak Intensities (Cd)
	2	16,000	65W	10,500
	2	24,000	130W	21,000
	3 (*)	44,340	195W	31,500
	4 (*)	59,120	260W	42,000
	5 (*)	73,900	325W	52,500

(*) Maximum duty cycle up to 35%.



MEDITERRÁNEO SEÑALES MARÍTIMAS, S.L.L.
 mesemar@mesemar.com • www.mesemar.com

