



HIGH-VISIBILITY ELASTOMER BUOYS

EBM-HV 22/30



EBM-HV 22/30 buoys are characterized by their high-visibility superstructure. They are indicated to be deployed in places where their day mark has to be recognised from a long distance, such as landfall buoys.

Thanks to their solid construction, they are virtually unsinkable, even against a strong impact. Besides, they can withstand repeated collisions without deforming.

Their float, of high elasticity and lightweight, is manufactured with closed-cell polyethylene solid foam sheet (no water absorption) and projected with a layer of coloured polyurethane elastomer.

The high-visibility superstructure is made from marine aluminium, providing a long service life under the harshest marine conditions. They can be customized under client's request.

FEATURES

- ✓ Their big superstructure surface is a great day mark, allowing to be recognized at a long distance.
- ✓ Average operation lifetime over 20 years.
- ✓ Float manufactured with closed-cell polyethylene foam sheet (no water absorption) projected with a layer of coloured polyurethane elastomer.
- ✓ High shock resistance.
- ✓ Marine-aluminium superstructure with wide top platform for maintenance works.
- ✓ Chromaticity according to IALA Recommendations.
- ✓ UV- and corrosion-resistant polyurethane paint.
- ✓ Ready to fit the solar power system.
- ✓ Compatible with a large variety of marine flashing lanterns.
- ✓ Passive radar reflector of 10 m² RCS.
- ✓ Designed according to IALA Recommendations.

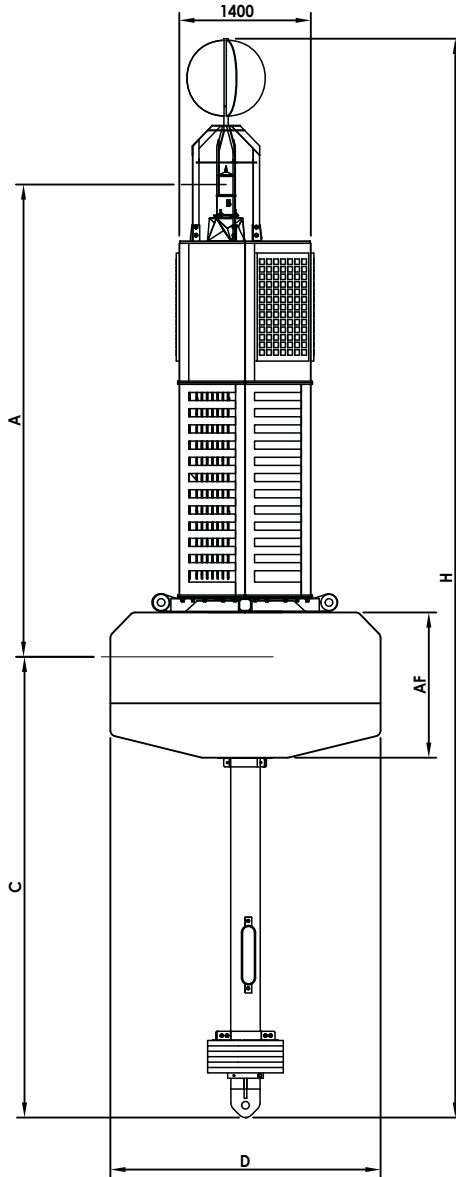


HIGH-VISIBILITY ELASTOMER BUOYS

EBM-HV 22/30



Specifications subject to change without previous notice.



EBM-HV 30 of 3m diameter.

Superstructure	
Material:	Marine aluminium.
Coating:	UV- and corrosion-resistant polyurethane paint.
Day marks:	GRP.
Top mark:	According to IALA Recommendations.
Radar reflector:	10 m ² (X Band).
Solar modules capacity:	Up to 6 nos. solar modules of 75W (maximum).
Batteries capacity:	Up to 130 Ah, in watertight cabinet with safety lock.
Lifting eyes:	2 nos.
Hardware:	Stainless steel.

Float	
Diameter:	From 2.2 to 3 metres.
Material:	Closed-cell polyethylene foam sheet.
Coating:	Projected with a layer of coloured polyurethane elastomer, UV resistant.
Top surface:	Anti-sliding.

Tail	
Material:	Hot-dip galvanized steel.
Ballast weights:	Treated steel, detachable.
Mooring eye:	1 no.
Protection:	Sacrifice anodes.

Options	
Superstructure made from stainless-steel or marine aluminium.	
Passive radar reflector available up to 36 m ² RCS.	
Active radar reflector.	
Lightning system.	
Cast-iron ballast weights.	
Racon support.	
Skirt or short tail available.	
Other float volumes available under request.	

MODEL	(D) FLOAT DIAMETER (*)	(A) FOCAL HEIGHT (*)	(AF) FLOAT HEIGHT (*)	(C) DRAFT	(H) TOTAL HEIGHT (*)	FLOAT VOLUME (**)	TOTAL WEIGHT	MAX. CHAIN
EBM-HV 22	2.2 m	3.0 m	1,050 mm	3,800 mm	8,900 mm	3.6 m ³	1,300 kg	1,600 kg
EBM-HV 25	2.5 m	4.5 m	1,350 mm	4,250 mm	10,500 mm	4.6 m ³	1,900 kg	1,800 kg
EBM-HV 30	3.0 m	6.0 m	1,350 mm	5,700 mm	12,400 mm	8.5 m ³	2,800 kg	2,800 kg

*Other diameters and heights available under request.

**Other volumes available under request.



MEDITERRÁNEO SEÑALES MARÍTIMAS, S.L.L.
 mesemar@mesemar.com • www.mesemar.com

