



These elastomer buoys are designed to be used during work periods, danger marking, emergency buoys or in shallow waters.


Thanks to its solid construction, they are virtually unsinkable, even against a strong impact. Besides, they can withstand repeated collisions without deforming.

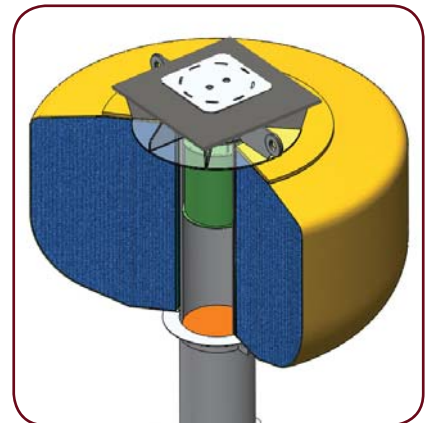
Its main advantage lies in its float, of high elasticity and lightweight, manufactured with closed-cell polyethylene solid foam sheet (no water absorption) and projected with a layer of coloured polyurethane elastomer.

Metallic parts of the buoy (superstructure and tail) are made from hot-dip galvanized steel, and designed to a long service life under harsh marine conditions.

They can be customized under client's request.

FEATURES

- ✓ Float manufactured with closed-cell polyethylene foam sheet (no water absorption) projected with a layer of coloured polyurethane elastomer.
- ✓ Chromaticity according to IALA Recommendations.
- ✓ Detachable ballast weights for installation in different depths and with different chain sizes.
- ✓ Metallic parts (superstructure and tail) from hot-dip galvanized steel as standard, stainless steel or marine aluminium as an option.
- ✓ Ready to fit self-contained lanterns.
- ✓ High resistance to corrosion and UV rays.
- ✓ Passive radar reflector of 8 m² RCS.
- ✓ Minimum maintenance.
- ✓ Manufactured with recyclable materials .
- ✓ Designed according to IALA Recommendations.

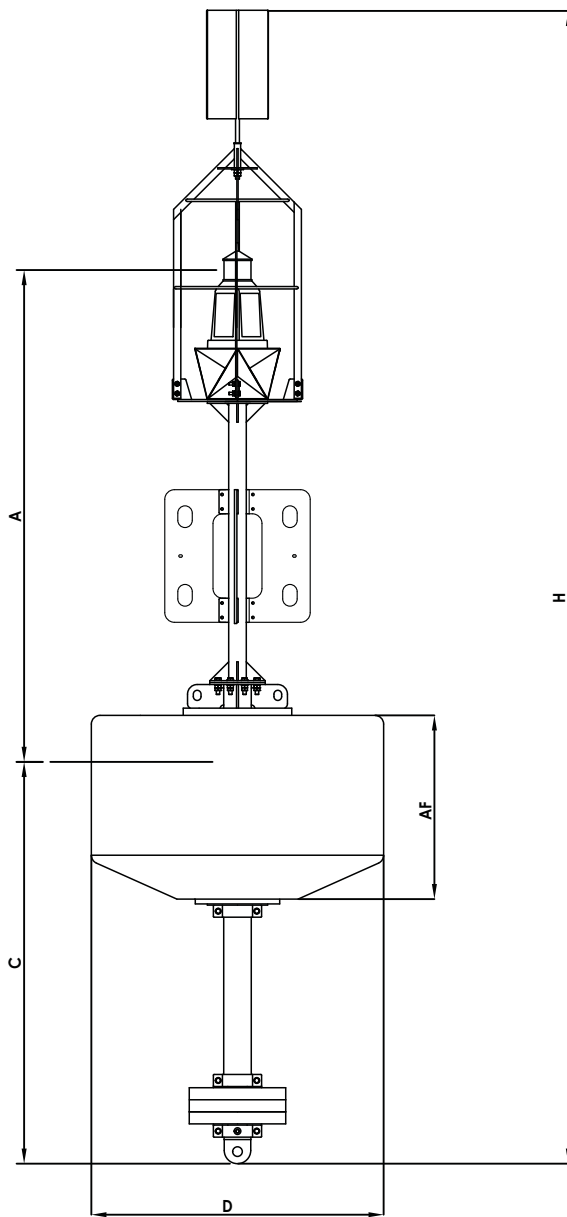


ELASTOMER BUOYS

EBM 10/12



Specifications subject to change without previous notice.



Superstructure	
Material:	Hot-dip galvanized steel.
Coating:	UV- and corrosion-resistant polyurethane paint.
Day marks:	Stainless steel.
Top mark:	According to IALA Recommendations.
Radar reflector:	8 m ² (X Band).
Lifting eyes:	2 nos.
Hardware:	Stainless steel.

Float	
Diameter:	From 1 to 1.2 metres.
Material:	Closed-cell polyethylene foam sheet.
Coating:	Projected with a layer of coloured polyurethane elastomer, UV resistant.
Top surface:	Anti-sliding.

Tail	
Material:	Hot-dip galvanized steel.
Ballast weights:	Treated steel, detachable.
Mooring eye:	1 no.
Protection:	Sacrifice anodes.

Options	
Superstructure made from stainless-steel or marine aluminium.	
High-visibility day marks.	
Cast-iron ballast weights.	
Skirt or short tail available.	
Other float volumes available under request.	

MODEL	(D) FLOAT DIAMETER (*)	(A) FOCAL HEIGHT (*)	(AF) FLOAT HEIGHT (*)	(C) DRAFT	(H) TOTAL HEIGHT (*)	FLOAT VOLUME (**)	TOTAL WEIGHT	MAX. CHAIN
EBM 10	1.0 m	1.7 m	730 mm	1,350 mm	4,000 mm	500 l	250 kg	250 kg
EBM 12	1.2 m	2.0 m	730 mm	1,350 mm	4,300 mm	750 l	330 kg	350 kg

*Other diameters and heights available under request.

**Other volumes available under request.



MEDITERRÁNEO SEÑALES MARÍTIMAS, S.L.L.
 mesemar@mesemar.com • www.mesemar.com

